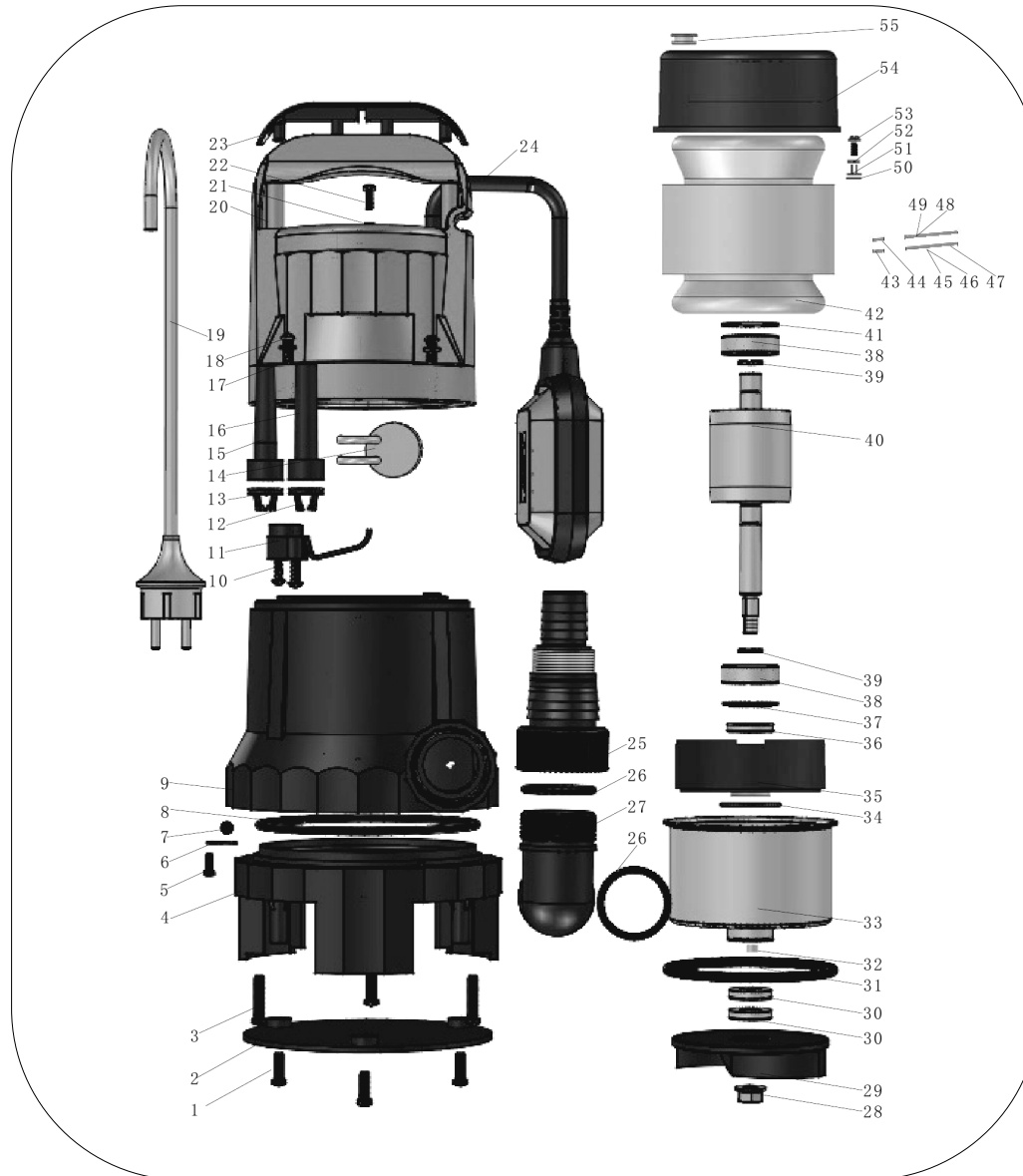


06867 - SIP SUB1075-FS Water Pump
   
 Exploded Diagram & Parts List



Ref No.	Description	SIP Code	Ref No.	Description	SIP Code
1.	Screw	PW11-00300	29.	Impeller	PW11-00328
2.	Base Plate	PW11-00301	30.	Seal	PW11-00329
3.	Screw	PW11-00302	31.	O-ring	PW11-00330
4.	Base	PW11-00303	32.	Oil	PW11-00331
5.	Screw	PW11-00304	33.	Stator Cover	PW11-00332
6.	Supporting plate	PW11-00305	34.	O-ring	PW11-00333
7.	Steel Ball	PW11-00306	35.	Bearing Base	PW11-00334
8.	O-ring	PW11-00307	36.	Seal	PW11-00335
9.	Pump Body	PW11-00308	37.	Adjusting Washer	PW11-00336
10.	Screw	PW11-00309	38.	Bearing	PW11-00337
11.	Capacitor Fixing	PW11-00310	39.	Circlip For Shaft	PW11-00338
12.	Cable Clamp	PW11-00311	40.	Rotor	PW11-00339
13.	Cable Clamp	PW11-00312	41.	Wave Spring	PW11-00340
14.	Capacitor	PW11-00313	42.	Motor Stator	PW11-00341
15.	Cable Jacket	PW11-00314	43.	Lug Plate (small)	PW11-00342
16.	Cable Jacket	PW11-00315	44.	Lug Plate (big)	PW11-00343
17.	Screw	PW11-00316	45.	Wire	PW11-00344
18.	Flat Washer	PW11-00317	46.	Fibreglass Pipe	PW11-00345
19.	Cable	PW11-00318	47.	Fibreglass Pipe	PW11-00346
20.	Cover	PW11-00319	48.	Pipe	PW11-00347
21.	O-ring	PW11-00320	49.	Pipe	PW11-00348
22.	Screw	PW11-00321	50.	Serrated Lock Washer	PW11-00349
23.	Handle Liner	PW11-00322	51.	Washer	PW11-00350
24.	Float Switch	PW11-00323	52.	Spring Washer	PW11-00351
25.	Outlet Adaptor	PW11-00324	53.	Screw	PW11-00352
26.	O-ring	PW11-00325	54.	Upper Cover	PW11-00353
27.	Outlet Adapter	PW11-00326	55.	Outlet Mouth	PW11-00354
28.	Flanged Nut	PW11-00327			